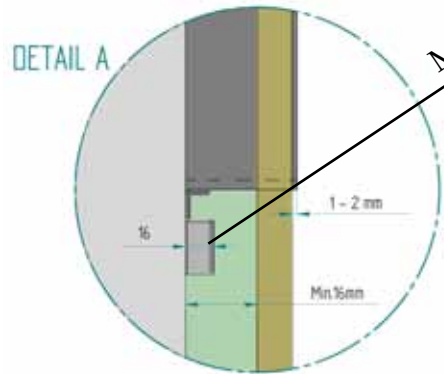
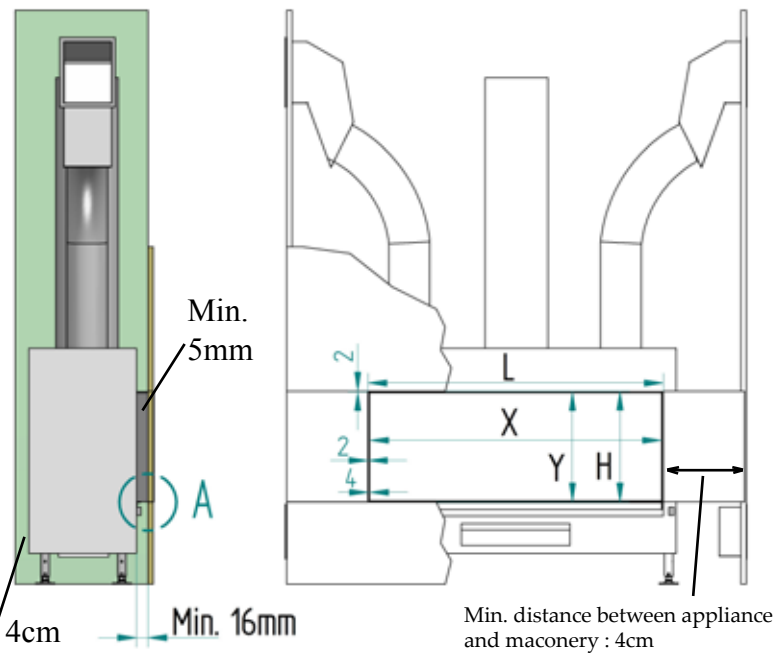
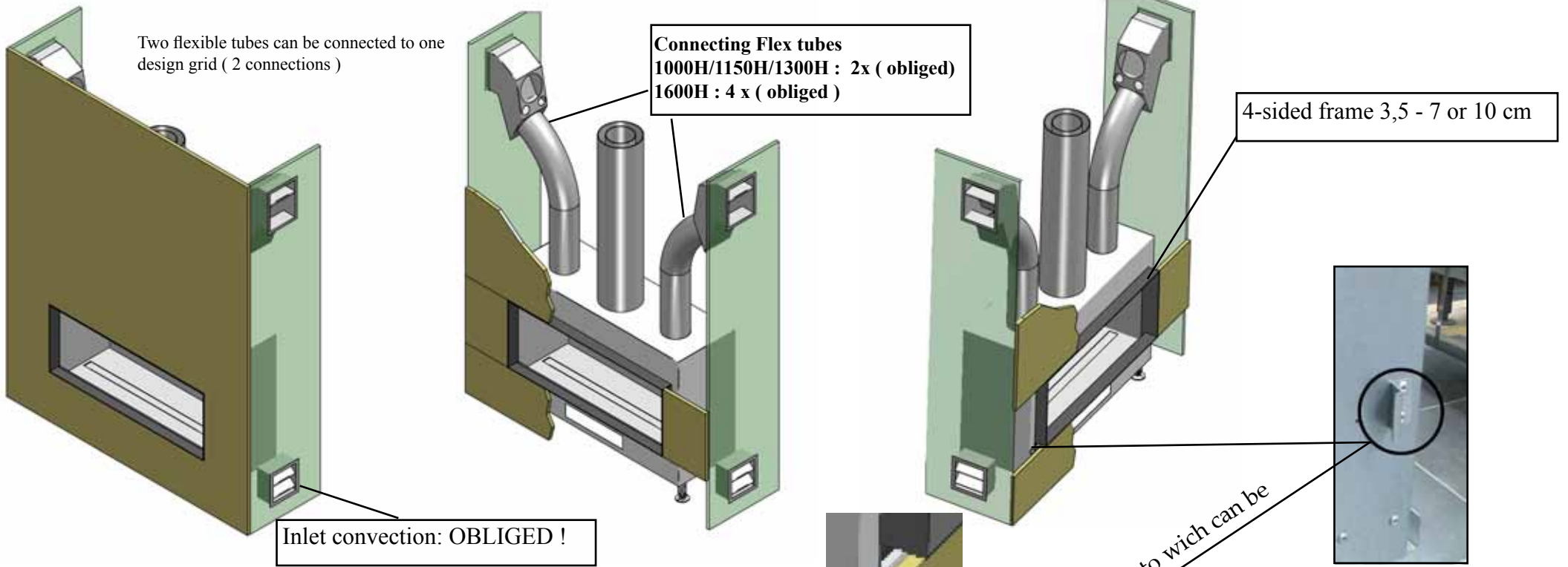


# Example how to mount with a 4-sided frame



Minimum distance to wich can be mounted

Model	X	L	Y	H
1000H / DH	923	935	406	408
1150H / DH	1073	1085	406	408
1300H / DH	1223	1235	406	408
1600H / DH	1523	1535	406	408
550V / DV	473	485	906	908
850V / DV	773	785	666	668

**Apperture to make**  
**L = X + 4mm + 4mm + 2mm + 2mm**  
**H = Y + 2mm**

X = inside measurement frame ( finished size )  
 Y = measurment from underneath 4th side frame till upper side frame above window  
 4 mm = thickness frame  
 2 mm = gap between frame and maconery